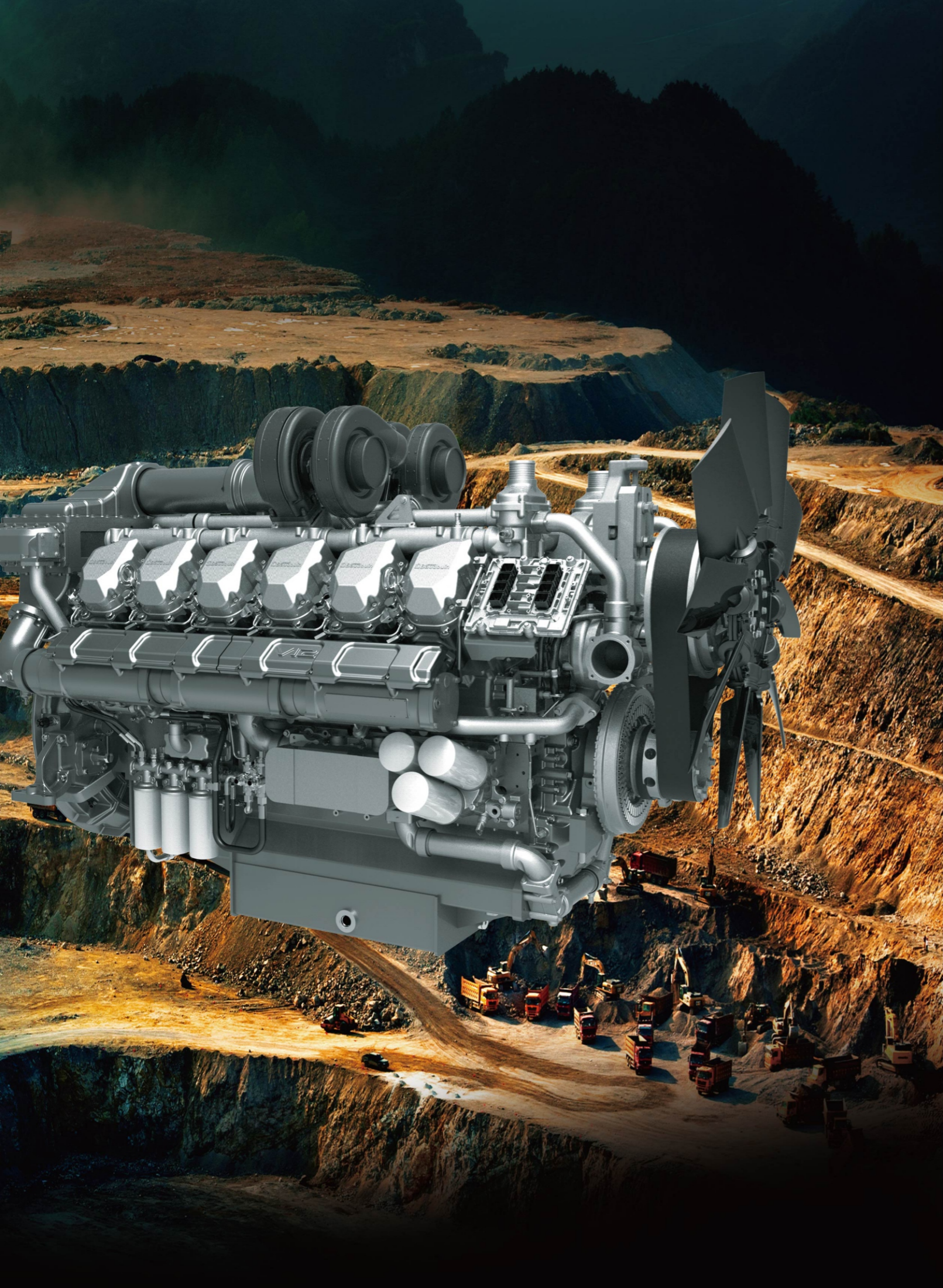


CONTENTS



Group Overview	01
Overseas Operation	02
History	03
Global R&D Centers	05
Engines For Mining Truck	06
WP12 Series Engine	
WP13 Series Engine	
WP17 Series Engine	
6M33 Series Engine	
12M33 Series Engine	
16M33 Series Engine	
12M55 Series Engine	
Overseas Service Network	15

Group Overview

Founded in 1946, Weichai is one of the biggest automobile and equipment manufacturing groups regarding comprehensive strength. Having more than 80,000 employees in the world, the group has achieved \$ 33 billion sales income in 2017, ranked 84th of China top 500 enterprises in 2017, 27th of China top 500 manufacturing enterprises and 2th of China top 100 machinery industry enterprises.

Established in

1946

Employees

80,000

Total assets

\$32 billion

Operating revenue

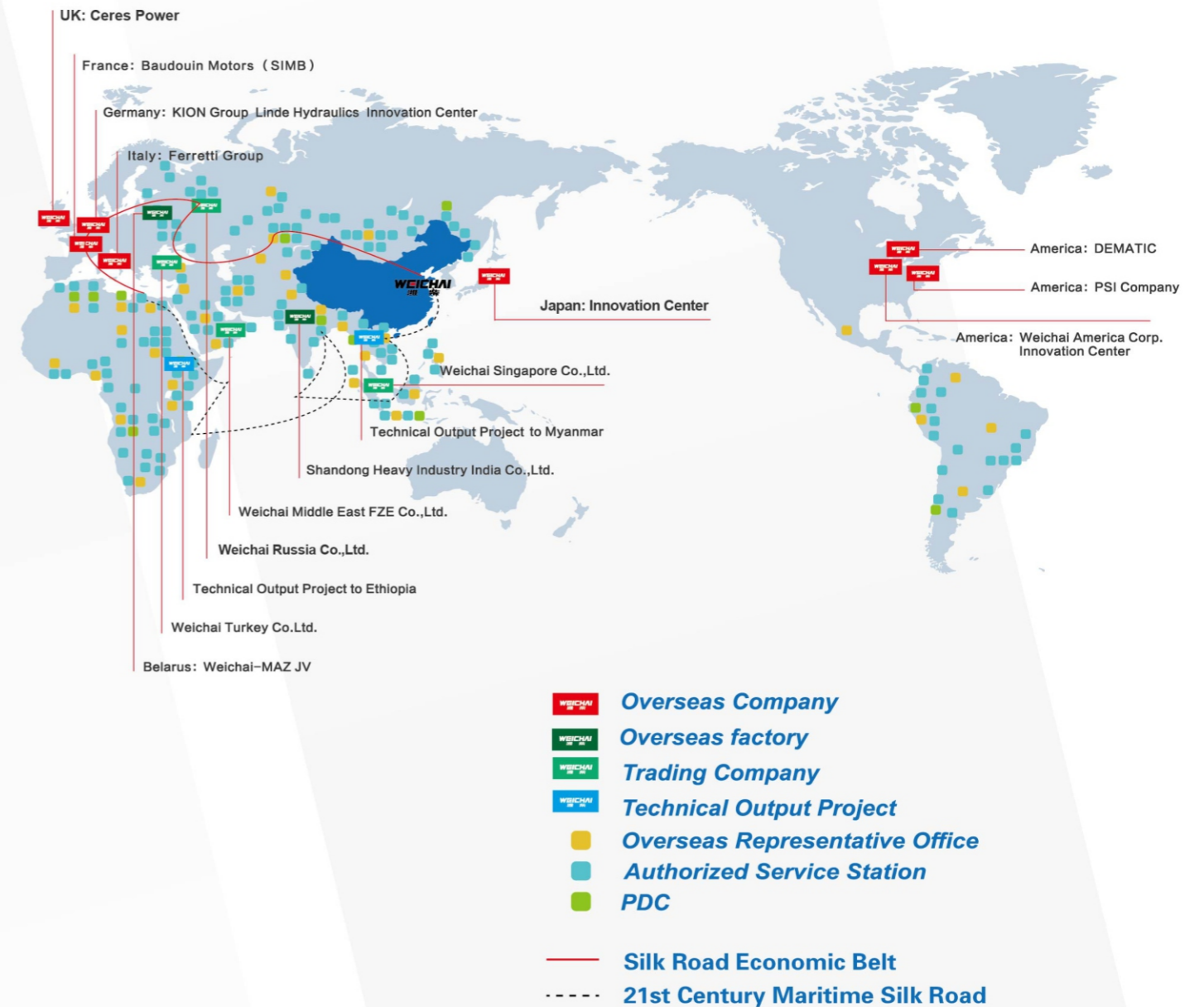
\$33 billion



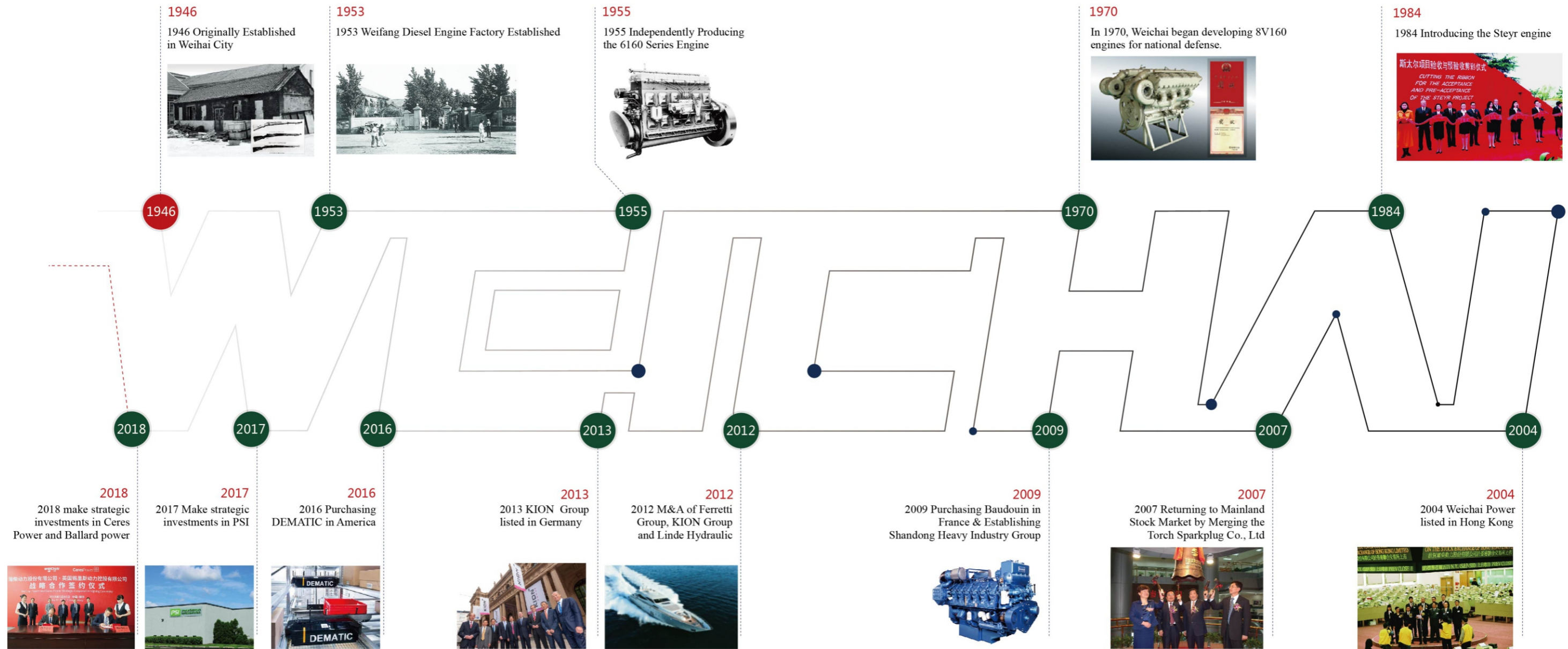
Among the most competitive auto-makers and equipment manufacturing companies in China



Overseas Operation



Development History



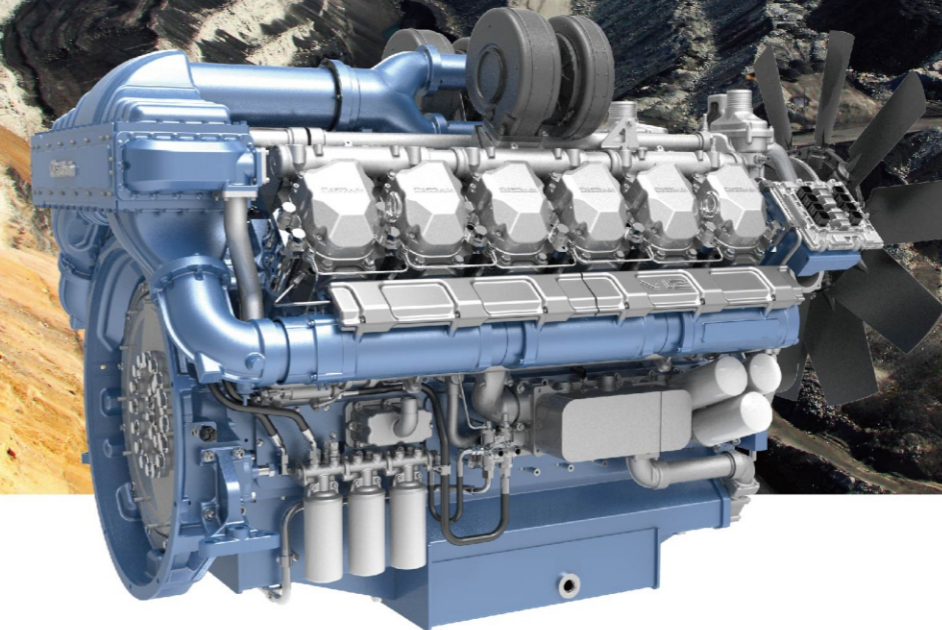
Global R&D Centers



Key Business Areas



Engines For Mining Truck



Model List

NO.	Series	Model	Displacement (L)	Cylinder - Bore×Stroke (mm)	Power/Speed (kW/rpm)	Max. Torque/Speed (N.m/rpm)	Type
1	WP12	WP12G460E310	11.596	6-126×155	338/2100	2000/1200-1600	CR
2	WP13	WP13G530E310	12.54	6-127×165	390/2100	2300/1200-1600	CR
3		WP17G550E302	16.72	8-127×165	404/2100	2550/1200-1500	CR
4	WP17	WP17G600E302	16.72	8-127×165	441/2100	2600/1200-1500	CR
5		WP17G650E302	16.72	8-127×165	478/2100	2800/1200-1500	CR
6		WP17G700E302	16.72	8-127×165	515/2100	3000/1200-1600	CR
7	6M33	6M33G1068	19.7	6-150×185	560/1900	3300/1300-1500	CR
8	12M33	12M33G1068	39.2	12-150×185	785/1900	4340/1300	CR
9		12M33G1224	39.2	12-150×185	900/1900	4525/1300	CR
10	16M33	16M33G1624	52.3	16-150×185	1194/1900	6500/1500	CR
11		16M33G2029	52.3	16-150×185	1492/1900	7900/1500	CR
12		12M55G2338	65.65	12-180×215	1719/1800	9060/1400	CR
13	12M55	12M55G2536	65.65	12-180×215	1865/1800	9840/1400	CR
14		12M55G2740	65.65	12-180×215	2015/1800	12600/1400	CR

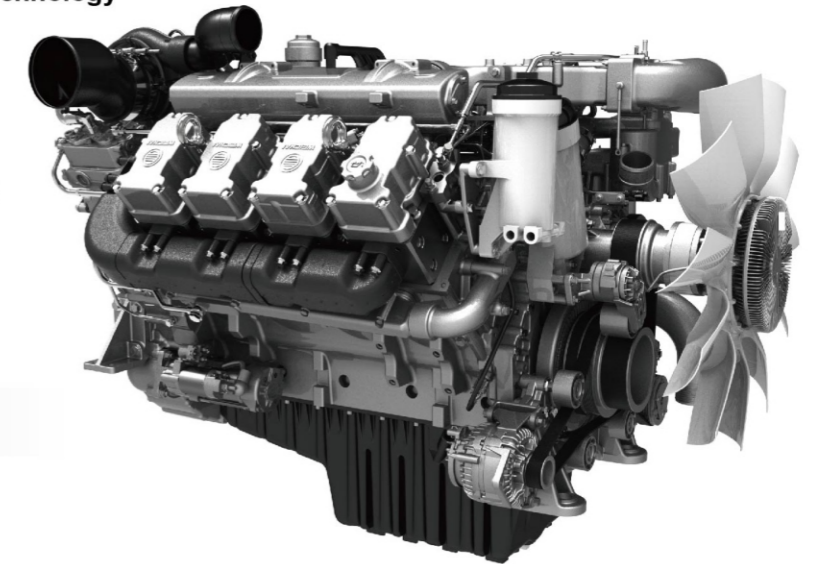
WP17

1.WP17 Model List

NO.	Series	Model	Displacement (L)	Cylinder - Bore×Stroke (mm)	Power/Speed (kW/rpm)	Max. Torque/Speed (N.m/rpm)	Type
1	WP17	WP17G550E302	16.72	8-127×165	404/2100	2550/1200-1500	CR
2		WP17G600E302	16.72	8-127×165	441/2100	2600/1200-1500	CR
3		WP17G650E302	16.72	8-127×165	478/2100	2800/1200-1500	CR
4		WP17G700E302	16.72	8-127×165	515/2100	3000/1200-1600	CR

WP17 Technology Advantage

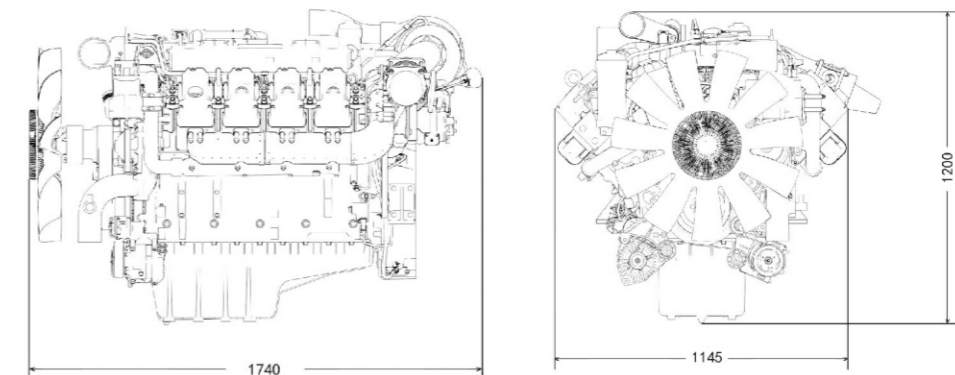
- HE thermal management
- Advanced HE combustion
- Engine and component test technology
- WEICHAH ECU control
- High reliability
- Single cylinder head, easy maintenance
- 1600 bar fuel injection system



2.Application

40t~55t Mining Truck

3.Engine Dimensions



WP12/WP13

1.WP12/WP13 Model List

NO.	Series	Model	Displacement (L)	Cylinder - Bore×Stroke (mm)	Power/Speed (kW/rpm)	Max. Torque/Speed (N.m/rpm)	Type
1	WP12	WP12G460E310	11.596	6-126×155	338/2100	2000/1200-1600	CR
2	WP13	WP13G530E310	12.54	6-127×165	390/2100	2300/1200-1600	CR

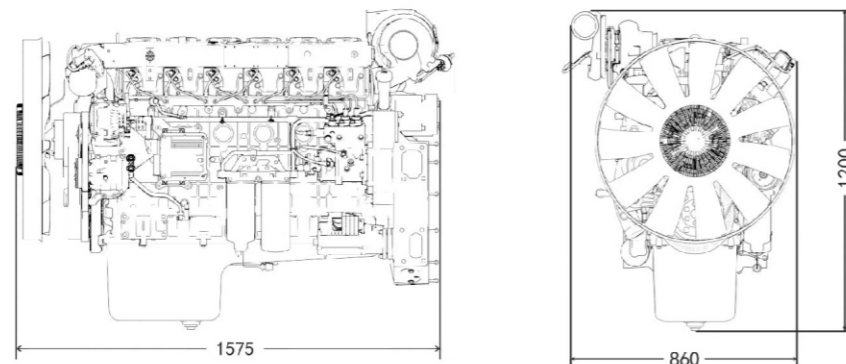
WP12/13 Technology Advantage

- High efficiency in-cylinder gas exchange
- High efficiency fuel injection
- WCBS brake technology
- High reliability
- WEICHAH ECU control
- Intelligent control for low fuel consumption
- High performance Turbocharger

2.Application

30t~40t Mining Truck

3.Engine Dimensions



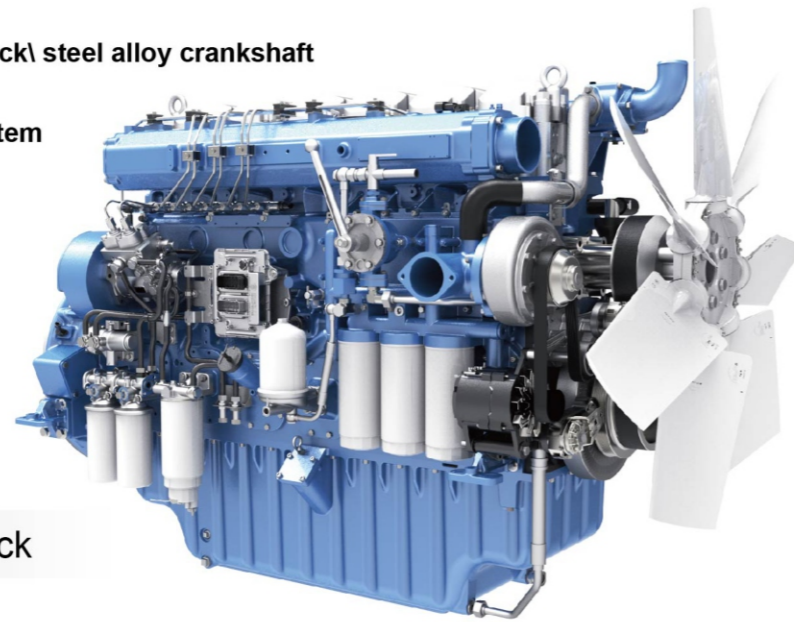
6M33

1.6M33 Model List

NO.	Series	Model	Displacement (L)	Cylinder - Bore×Stroke (mm)	Power/Speed (kW/rpm)	Max. Torque/Speed (N.m/rpm)	Type
1	6M33	6M33G762	19.6	6-150×185	560/1900	3300/1300-1500	CR

6M33 Technology Advantage

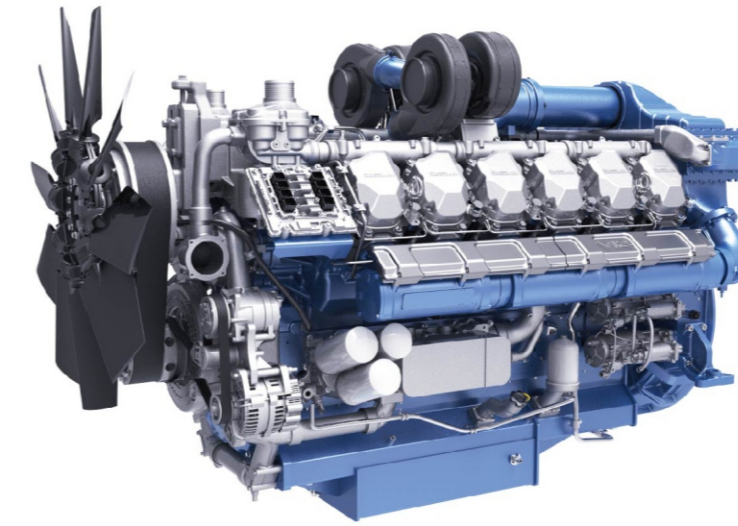
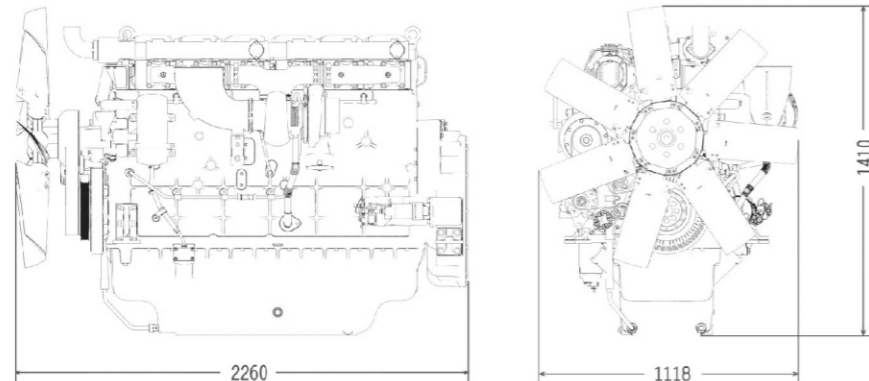
- HE combustion
- Engine and component test technology
- Integrated\Modular design
- High reliability
- Grid structure cylinder block\ steel alloy crankshaft
- WEICHAI ECU control
- 1600bar fuel injection system
- HE turbocharging



2.Application

55t~60t Mining Truck

3.Engine Dimensions



12M33

1.12M33 Model List

NO.	Series	Model	Displacement (L)	Cylinder - Bore×Stroke (mm)	Power/Speed (kW/rpm)	Max. Torque/Speed (N.m/rpm)	Type
1	12M33	12M33G1068	39.2	12-150×185	785/1900	4340/1300	CR
2		12M33G1224	39.2	12-150×185	900/1900	4525/1300	CR

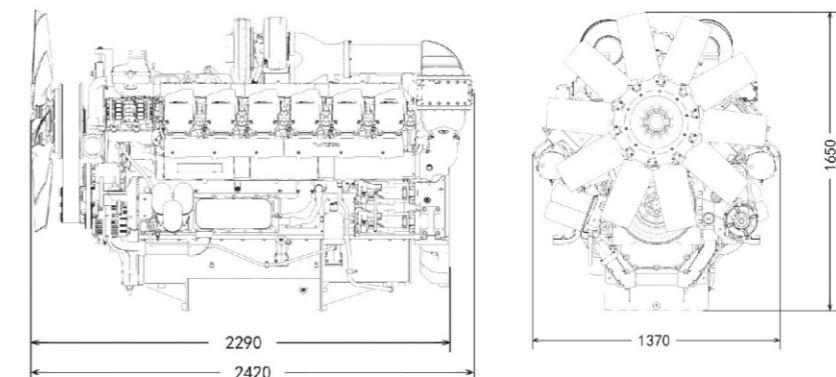
12M33 Technology Advantage

- HE combustion
- Engine and component test technology
- Integrated\Modular design
- High reliability
- Grid structure cylinder block\ steel alloy crankshaft
- WEICHAI ECU control
- 1600bar fuel injection system
- HE turbocharging

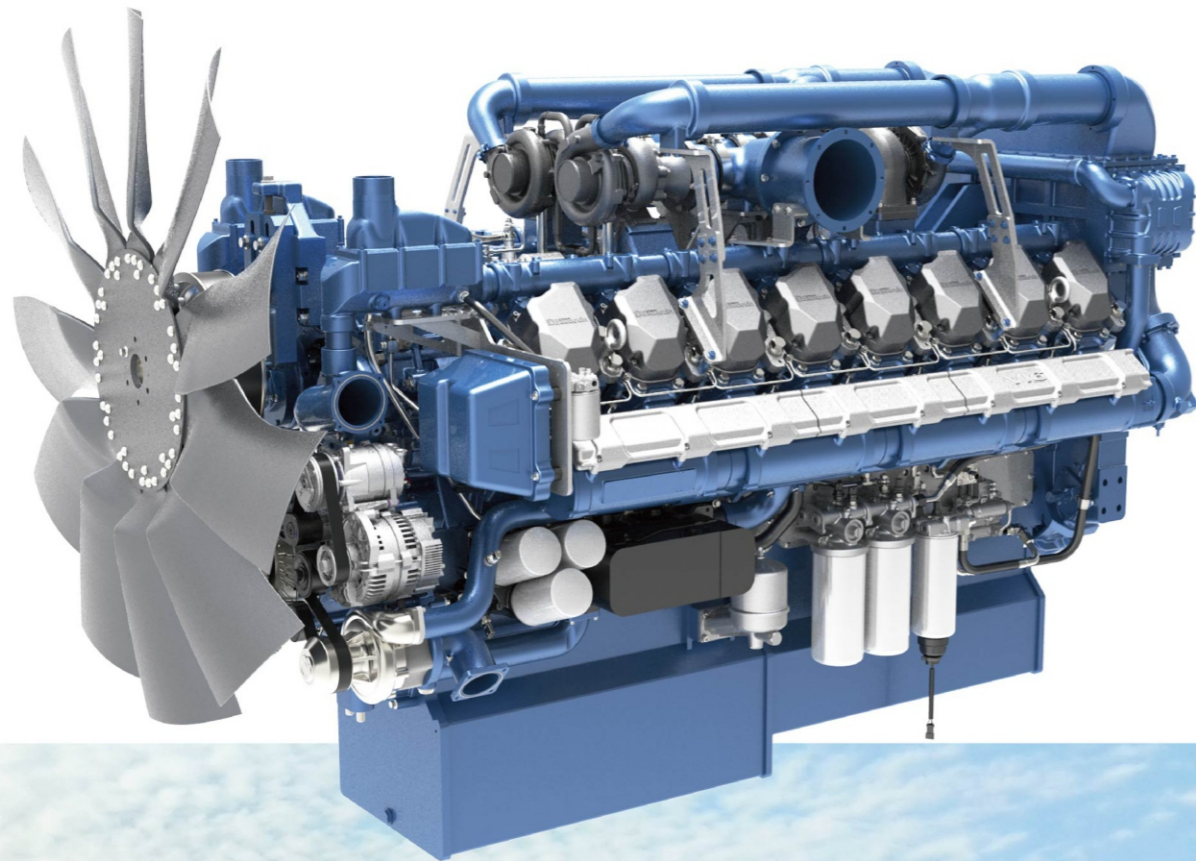
2.Application

90t~130t Mining Truck

3.Engine Dimensions



16M33



1.16M33 Model List

NO.	Series	Model	Displacement (L)	Cylinder - Bore×Stroke (mm)	Power/Speed (kW/rpm)	Max. Torque/Speed (N.m/rpm)	Type
1	16M33	16M33G1624	52.3	16-150×185	1194/1900	6500/1500	CR
2		16M33G2029	52.3	16-150×185	1492/1900	7900/1500	CR

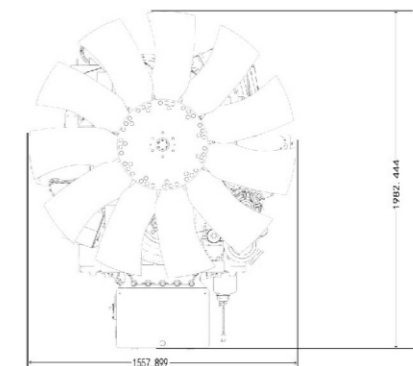
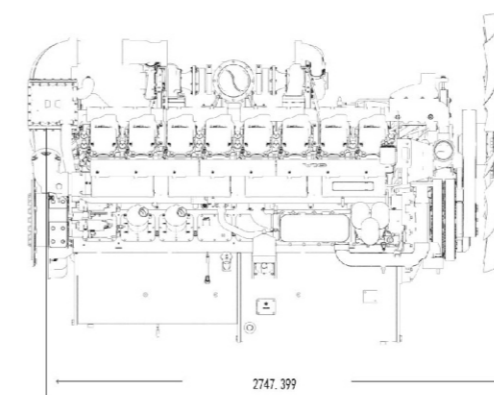
16M33 Technology Advantage

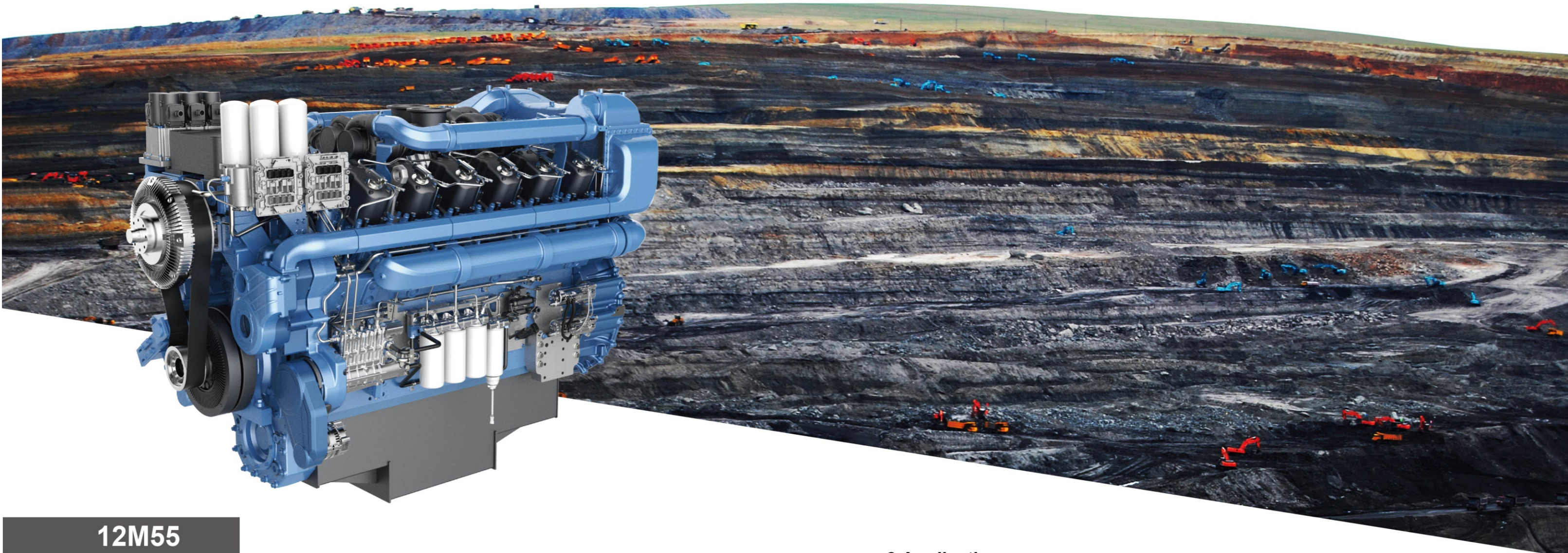
- HE combustion
- Engine and component test technology
- Integrated Modular design
- High reliability
- Grid structure cylinder block\ steel alloy crankshaft
- WEICHAI ECU control
- 1600bar fuel injection system
- HE turbocharging

2.Application

130t~180t Mining Truck

3.Engine Dimensions





12M55

1.12M55 Model List

NO.	Series	Model	Displacement (L)	Cylinder - Bore×Stroke (mm)	Power/Speed (kW/rpm)	Max. Torque/Speed (N.m/rpm)	Type
1		12M55G2338	65.65	12-180×215	1719/1800	9060/1400	CR
2	12M55	12M55G2536	65.65	12-180×215	1865/1800	9840/1400	CR
3		12M55G2740	65.65	12-180×215	2015/1800	12600/1400	CR

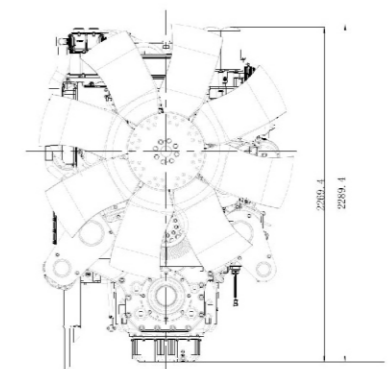
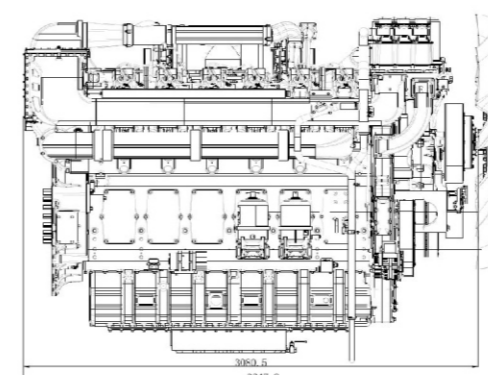
12M55 Technology Advantage

- HE fast combustion
- Engine and component test technology
- Modular design technology
- High strength, high reliability
- CGI crankcase and cylinder head, steel piston, high grade bearings
- Intelligent control
- 2200bar fuel injection system
- High efficiency and high pressure charging technology
- High efficiency SCR ATS

2.Application

180t~250t Mining Truck

3.Engine Dimensions



Overseas Service Network

Weichai has an international service network covering the global operation with 30 overseas institutions and 400 service agencies, and weichai has ability to provide services to worldwide users.

